

OTHER BEARINGS AND BEARING COMPONENTS

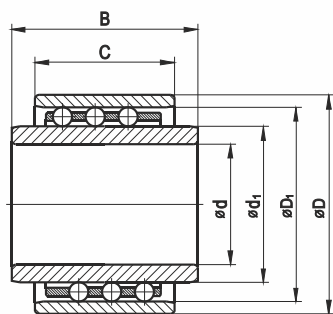


Fig. 1
Special ball bearings

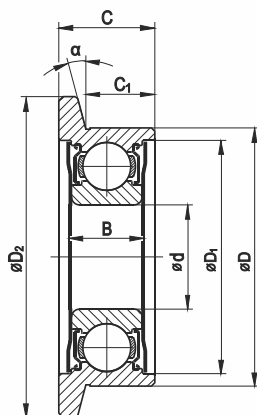


Fig. 2
Rollerblades for temperatures
up to 200°C



Fig.	Bearing designation	Dimensions								
		d	D	d ₁	D ₁	D ₂	B	C	C ₁	α
		mm	mm	mm	mm	mm	mm	mm	mm	grades
1	PT 40/80	40	80	52,95	67	-	68	50	-	-
	PT 70/120	70	120	85	105	-	78	59	-	-
	PT 75/130	75	130	92,95	112	-	120	100	-	-
	PT 45/80	45	80	58	68	-	80	50	-	-
2	OLT 121	25	80	-	59,5	100	29,6	35	25	15
	OLT 146	25	62	-	56	77	18	23	16	15